

深圳市晶科鑫实业有限公司

样品承认书

客户代码:	
物料名称:	32.768KHZ
规格型号:	DIP-3*8-32.768KHZ-20PPM-12.5PF
P N/ SJK:	6K832768F12UB

承 认 签 章					
供 应 商 承 认			() 公 司 承 认		
制 定	审 核	核 准	工 程 师	审 核	批 准
林雁	杨霞	黄灏东			
盖章签署			盖章签署		
日 期			日 期		
批示: <input type="checkbox"/> 接受 <input type="checkbox"/> 有条件接受					
备注:					

公司地址: 深圳市龙岗区天安云谷产业园一期3栋C座12楼1204~1206室
电 话: 0755-88352810-837 传 真: 0755-88353718

CRYSTAL RESONANCER



SERIES 6KX, DIP 3X8 / 2X6MM TUNING FORK WATCH CRYSTAL

Approved by:黄灏东
Checked by:杨霞
Issued by:玉静霞

SPECIFICATION

P N/ SJK: 6K832768F12UB

深圳市晶科鑫实业有限公司

SHENZHEN CRYSTAL TECHNOLOGY INDUSTRIAL CO., LTD.

CRYSTAL RESONANCER



SERIES 6KX, DIP 3X8 / 2X6MM TUNING FORK WATCH CRYSTAL

1. FEATURE

- Wide Frequency range
- Small size
- Tape & Reel

2. APPLICATIONS

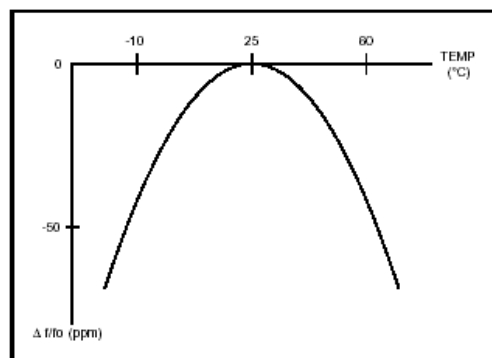
- Microprocessor Systems
- Consumer Electronics

3. ELECTRICAL SPECIFICATIONS

Frequency	32.768KHz
Frequency Tolerance (at 25°C)	±20ppm
Load Capacitance(C _L)	12.5PF
ESR	35 KΩ Max
Turnover Temperature	25 ± 3°C
Frequency stability vs Temperature Range	-20 °C to + 70 °C
Frequency Temperature Curve	-0.04ppm/°C ² MAX
Storage Temperature Range	-40 °C to +85 °C
Operating Temperature Range	-20 °C to +70°C
Shunt Capacitance (C ₀)	1.2pF Typ
Dynamic Capacitance (C ₁)	3.4fF Typ
Driver Level (Typical)	1 μW Max
Insulation Resistance	500MΩ MIN at DC100V±15V
Aging @25°C 1 st year (Max)	±3ppm/year max

REMARK: SPECIFICATIONS SUBJECT TO CHANGE WITHOUT PRIOR NOTICE. PLEASE CONFIRM WITH OUR SALES ENGINEER.

4. FREQUENCY VS TEMPERATURE CURVE

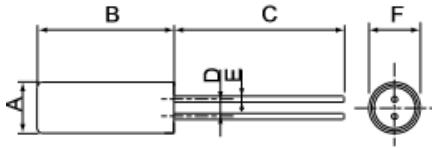


CRYSTAL RESONANCER



SERIES 6KX, DIP 3X8 / 2X6MM TUNING FORK WATCH CRYSTAL

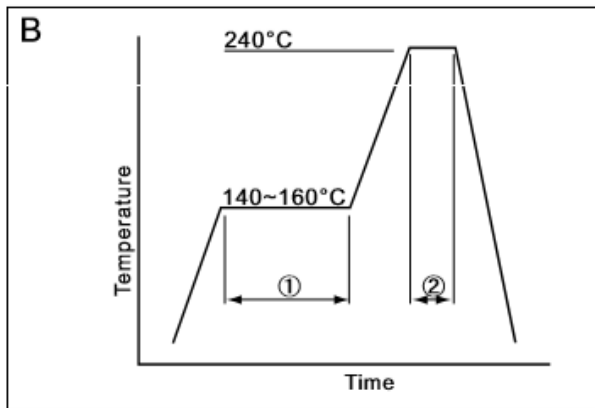
5. PACKING AND DIMENSIONS (Units: mm)



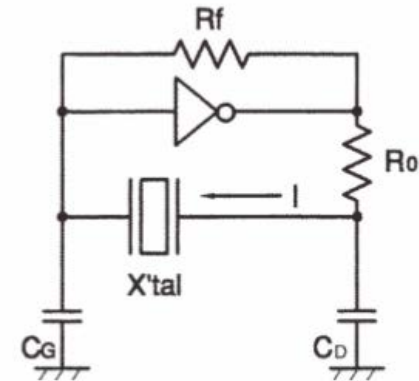
Type	A	B	C	D	E	F
6K6	∅2.0	6.0±0.3	7.0±0.3	0.7±0.2	0.2±0.1	∅2.0±0.1
6K8	∅3.0	8.0±0.3	10.0±0.3	1.1±0.2	0.3±0.1	∅3.0±0.1



6. REFLONDIW COTION AND OSCILLATION CIRCUIT



①	Preheat	140~160°C	120sec.
②	Peak	240°C	10sec.



$$C_L = \frac{C_g \times C_d}{C_g + C_d} + C_s$$

7. PART NUMBER

SJK-	6K8	32768	F	12	U	B
	3x8	Frequency: 32.768KHZ	Frequency tolerance. F: ±20PPM	Load capacitance. 12:12.5PF	E.S.R. U: 35kΩ	temp.range B: -20+70°C

8. 元件的安装MOUNTING

(1) 圆柱状晶体元件的安装MOUNTING of cylinder type products (1)为了避免影响元件电性能或损坏元件，严禁将圆柱状晶体元件外壳焊接在印制板上进行固定。推荐使用橡胶粘剂进行固定。
Soldering the body of the cylinder type crystal units with PCB must be avoided due to deteriorate the characteristics or damage the products. Rubber adhesive is recommended

(2) 当用手工来弯曲引线时，请遵照下列方法。

When the lead needs to be bent by hand, please follow the instruction as below:

用手指捏住圆柱晶体的外壳;用镊子夹住引线要弯曲的部位，该部位离晶体基座底部1.5mm以上（推荐3.0mm）；用镊子夹住弯曲引线成90°，不要用力拉引线。用力拉引线可能造成引线根部的玻璃子破裂，而产生漏气损坏元件电性能。

Hold the body of the cylinder type crystal unit in fingers; Pick at the part with tweezers, which you want to bend. There should be more than 1.5mm(3.0mm is recommended) from the body case; Bend the lead 90° by tweezers without pulling the lead strongly. If pulling the lead strongly may cause any cracks of hermetic.

9. 石英晶体元件的清洗CLEANING

(1)恶劣的超声波清洗或超声波焊接可能会影响和损坏石英晶体元件。如果您对晶体元件进行了超声波清洗，请一定在使用前 确认晶体元件是否受到了影响和损坏。

Crystal units may be affected and destroyed at worst by supersonic cleaning or supersonic welding. Please be sure to check if your cleaning and welding process affects any damage to crystal units before using.

(2)有些清洗液也可能造成晶体元件的损坏，请在使用清洗液前确认该清洗液是否适用。

Some kinds of cleaning fluid may cause any damage to crystal units. Please be sure to check suitability of.

10. 贮存STORAGE

石英晶体元件长时间存放在高温或高湿环境中，可能会影响频率的稳定性或可焊性。请将晶体元件存放在正常温度和湿度环境中，避免阳光直射和露水凝结，避免贮存6个月以上再使用，拆封后尽快装配使用

Storage of crystal units under higher temperature or high humidity for a long term may affect frequency stability or solder ability. Please store the crystal units under the normal temperature and humidity without exposing to direct sunlight and dew condensation. Please clean the cleaning fluid in advance and avoid the storage of crystal units for more than 6 months, and mount them as soon as possible after unpacking